



**LAKE COUNTY FOREST PRESERVES**

---

Preservation, Restoration, Education and Recreation

DATE: November 1, 2017

**ADDENDUM NO. 1**

INVITATION FOR BID NO. 18001

PROJECT: 64811-18001-874

BID OPENING DATE: November 16, 2017

BID OPENING TIME: 10:00 a.m. local time

**Please note the following clarifications, revisions, and additions to the bid documents:**

1. QUESTION: Will all permitting fees be waived for this project?  
ANSWER: The Owner will pay all permit fees, if any.
2. QUESTION: Who is responsible for layout?  
ANSWER: The Owner will provide control points for surveying. The Contractor is responsible for layout of the structure.
3. ADD: Lightning Protection – Provide 2 sets of lightning protection, #8 x 8’ long copper rod with associated wiring.
4. DELETE: Interpretive Sign mounting detail as part of the 1 - Deck Detail, sheet A-4.  
REPLACE WITH: 3-Sign Mounting Detail, sheet ADD-1.1
5. ADD: Sheet ADD-1.2 – includes two additional notes to be added to sheet A-6.
6. Attached find the pre-bid sign in sheet.



Please **sign** this form and **return original** with your **bid**.

Sincerely,

Christine F. Miller  
Purchasing Manager

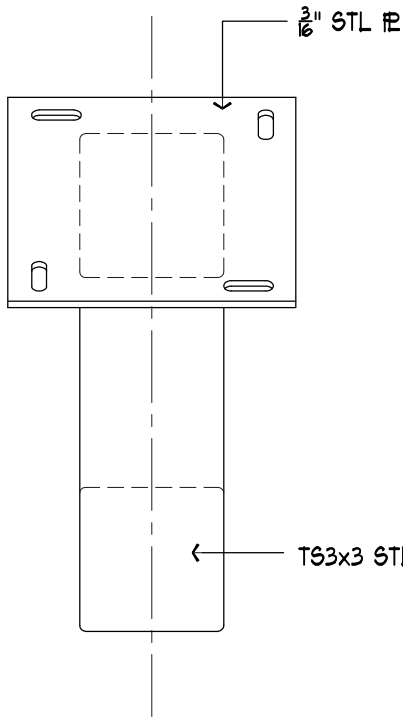
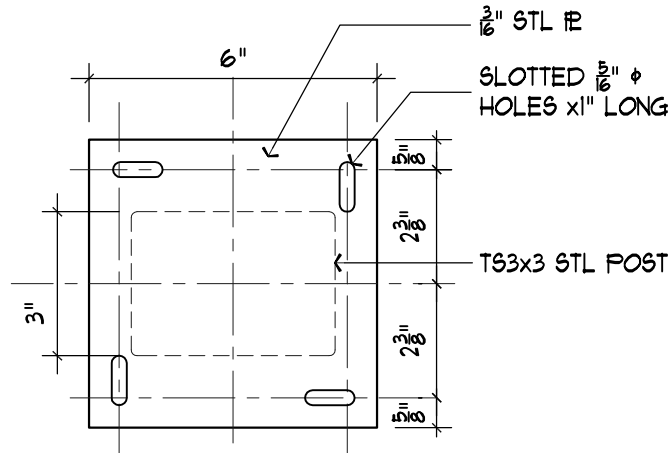
Acknowledged and Accepted:

Signature: \_\_\_\_\_

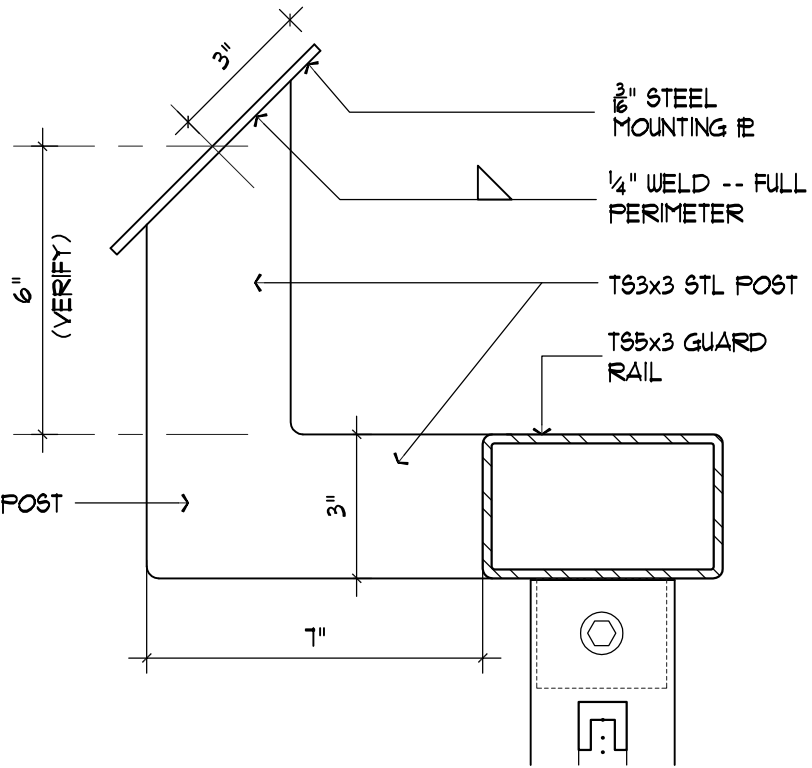
Company: \_\_\_\_\_

\_\_\_\_\_

**MOUNTING  
PL PLAN**



**FRONT  
ELEVATION**



**SIDE  
ELEVATION**

**3 SIGN MOUNTING DETAIL**  
SCALE: 3" = 1'-0"

SPRING BLUFF  
OBSERVATION PLATFORM

LCFP

1899 W. WINCHESTER RD.  
LIBERTYVILLE IL 60048

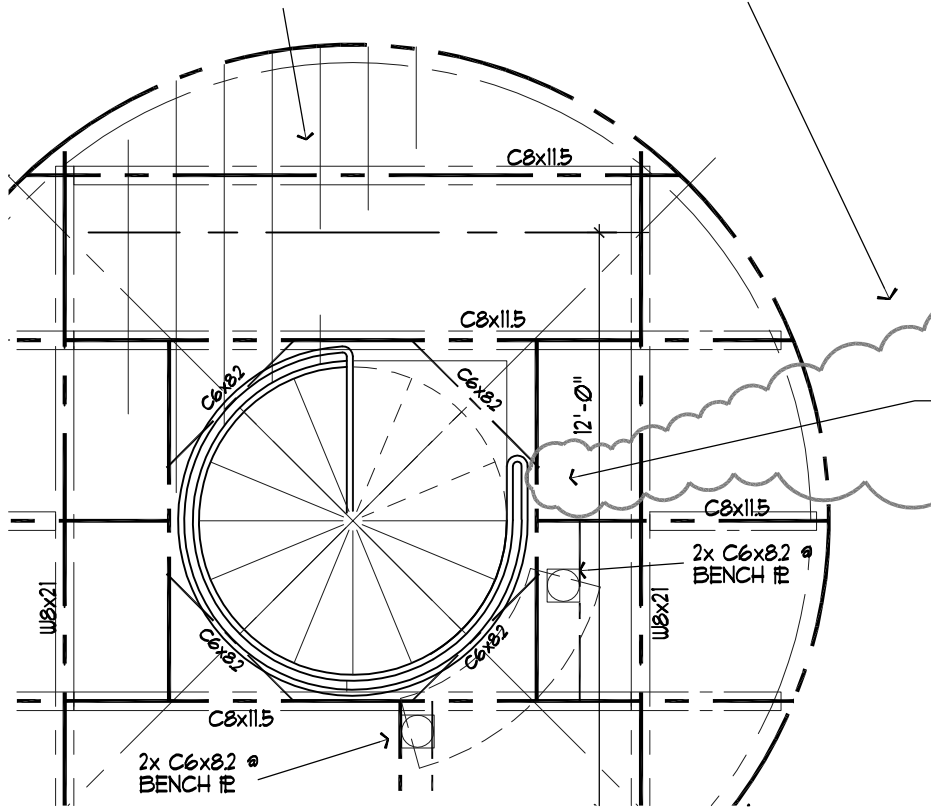
**ADD-1.1**

OCTOBER 31, 2017



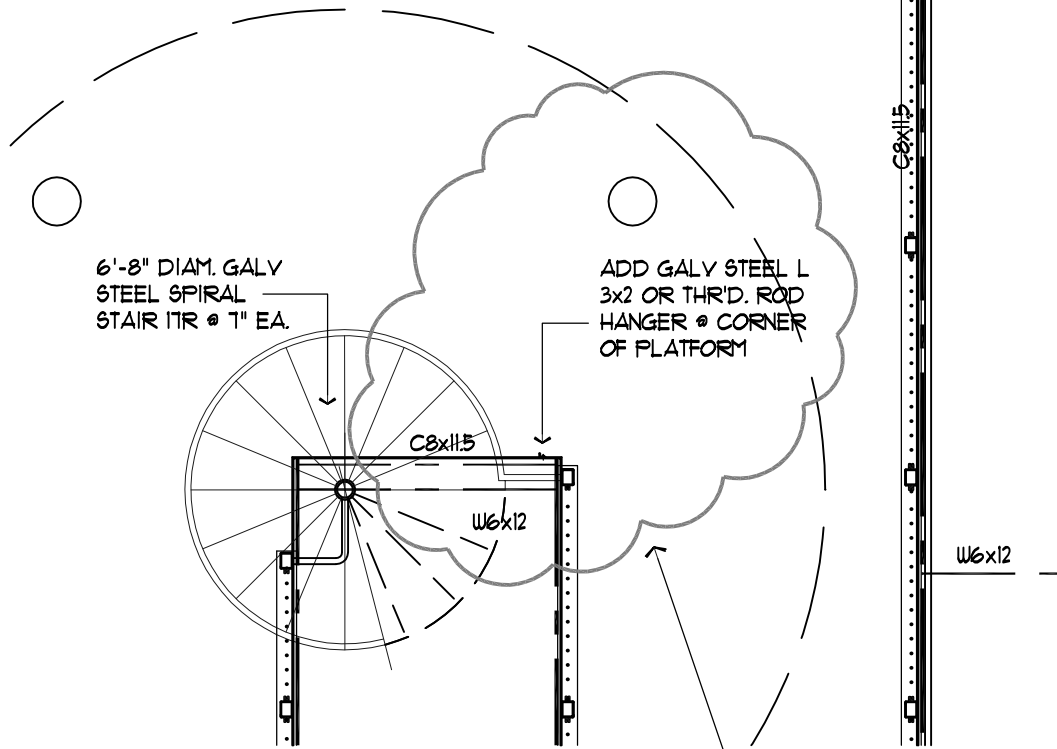
WELLS P. WHEELER, ARCHITECT  
A.L.A. N.C.A.R.B.  
1100 NORTH WAUKEGAN ROAD  
LAKE FOREST, ILLINOIS 60045  
847 604 8819 CEL: 847 804 0487  
EMAIL: WWARCH@SBCGLOBAL.NET

ADDENDUM #1: ADD THIS NOTE TO SHEET A-6



ELEVATION

ADD GALV STEEL L 3x2 OR THRD. ROD HANGER @ CORNER OF PLATFORM



ELEVATION

ADD GALV STEEL L 3x2 OR THRD. ROD HANGER @ CORNER OF PLATFORM

ADDENDUM #1: ADD THIS NOTE TO SHEET A-6

# SPRING BLUFF OBSERVATION PLATFORM

LCFP

1899 W. WINCHESTER RD.  
LIBERTYVILLE IL 60048

## ADD-1.2

OCTOBER 31, 2017



WELLS P. WHEELER, ARCHITECT  
A.L.A. N.C.A.R.B.  
1100 NORTH WAUKEGAN ROAD  
LAKE FOREST ILLINOIS 60045  
847 604 8819 CEL: 847 804 0487  
EMAIL: WWARCH@SBCGLOBAL.NET



NON MANDATORY PRE-BID CONFERENCE

Attendance Sheet for the

FABRICATION AND INSTALLATION OF OBSERVATION STRUCTURE

SPRING BLUFF FOREST PRESERVE

OCTOBER 31, 2017 at 11:00 A.M. LOCAL TIME

Name: GREG WALENTER
Company: LCFPD
Address:
Phone #:
Fax #:
Email:

Name: VINCE CARRANETA
Company: CAR-MIN CONST. CO., INC.
Address: 1000 LOW AVE
WILMINGTON, IL
Phone #: (847) 336-1310
Fax #: (847) 336-1603
Email: VINCE@CAR-MIN.COM

Name: Jeff Sloat
Company: LCFPD
Address: 1999 W. Winchester Rd
Libertyville, IL
Phone #: 847 968-3277
Fax #:
Email: jsloat@lcpd.org

Name: Dan Murphy
Company: Integral Construction Inc.
Address: 4053 W. 183rd St. Unit #2846
Country Club Hills, IL 60478
Phone #: (844) 317-7403
Fax #: (844) 317-7403
Email: estimating@buildintegral.com

Name: WARD H. WARE
Company: WARD H. WARE ARCHITECTS
Address: 1100 N. WILMINGTON RD
LAKE FOREST IL 60045
Phone #: 847 604 8819
Fax #:
Email: WWARDH@SBCGLOBAL.NET

Name:
Company:
Address:
Phone #:
Fax #:
Email: